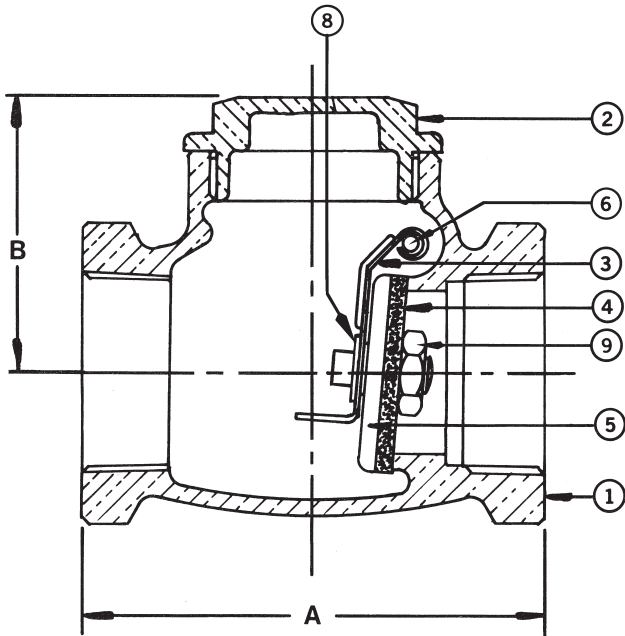


CHECK 509/509T

HORIZONTAL SWING – BRONZE

125 lb. SWP-200 lb. WOG† • General Service
Bronze Disc • Threaded Ends

For Steam service specify 509-T (Teflon Disc).



DIMENSIONS - INCHES / MILLIMETERS			
UNITS	SIZE	A	B
Inches	1/4	2.13	1.44
mm	6.35	53.98	36.53
Inches	3/8	2.13	1.44
mm	9.53	53.98	36.53
Inches	1/2	2.31	1.44
mm	12.70	58.75	36.53
Inches	3/4	2.63	1.69
mm	19.05	66.68	42.88
Inches	1	3.25	2.00
mm	25.40	82.55	50.80
Inches	1 1/4	3.56	2.13
mm	31.75	90.50	53.98
Inches	1 1/2	4.00	2.38
mm	38.10	101.60	60.33
Inches	2	4.75	2.81
mm	50.80	130.18	207.98
Inches	*2 1/2	6.00	3.63
mm	63.50	152.40	92.08
Inches	*3	6.88	4.19
mm	76.20	174.63	106.38

† Non-Shock
* 509 Only

Rev. 3

SPECIFICATIONS

509 Conforms to: MSS SP-80, Type 3,
Class 125, Threaded Ends.

MATERIAL LIST

NO.	PART	MATERIAL	SPECIFICATION
1	Body	Bronze	ASTM B 62
2	Cap	Bronze	ASTM B 62
3	Lever	St. Steel - 509	Commercial 1/4" to 2" Incl.
		Bronze - 509	ASTM B 584 2 1/2" and 3"
		Brass - 509T	ASTM B 16 1/4" to 2" Incl.
4	Disc	Brass - 509	ASTM B 16 1/4" to 3/4" ASTM B 453 1" to 1 1/2"
		Bronze - 509	ASTM B 62 2" to 3"
		PTFE - 509T	Commercial
5	Disc Holder	Brass	ASTM B 16 1/4" to 3/4"
		Bronze	ASTM B 62 1" to 3"
6	Pin	St. Steel	Commercial
7 ¹	Disc Nut	Brass	ASTM B 16
8	Retaining Ring	St. Steel	Commercial
9	Plug (not shown)	Brass - 509	ASTM B 16
10 ¹	Washer (not shown)	Brass - 509	ASTM B 16

¹ Used on 2 1/2" and 3" sizes only

INNOVATION IN EVERY VALVE



MILWAUKEE VALVE

The information presented on this sheet is correct at the time of publication. Milwaukee Valve reserves the right to change design, and/or material specifications without notice. For the most current information access www.milwaukeevalve.com

www.milwaukeevalve.com